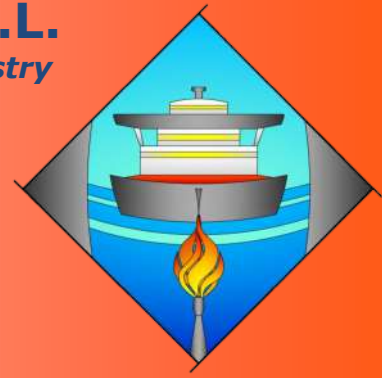
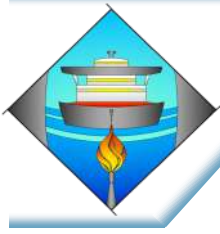


# Anti-pollution Systems



- **Anti-Pollution Barriers**
  - Standard for Calm Water
  - Standard for Open Sea





## Anti-Pollution Barriers

The IOCS Srl manufactures various types of standard anti-pollution barriers: for calm waters and for open sea.

The IOCS Srl barriers are usually used for containment and retrieval operations in cases of spillage of hydrocarbons, solid floating wastes, seaweed, microorganism etc.

These barriers, which are used in safeguarding of sea coast, beaches, rivers and lakes are made of polyurethane whit polyester reinforcement of high mechanical and chemical resistance.

Buoyancy is guaranteed by expanded polyurethane elements which are inserted into ultra-sonic welded pockets while stability is ensured by a suitable ballast.

The individual segments are connected to each other by means of a specially designed connection device which enables the user to obtain whatever specific length he requires.

It is also possible to wrap the entire barrier on appropriate reels for a more efficient use and storage.

When necessary, the barriers can be accurately positioned by attaching them either to concrete sinkers or anchors.

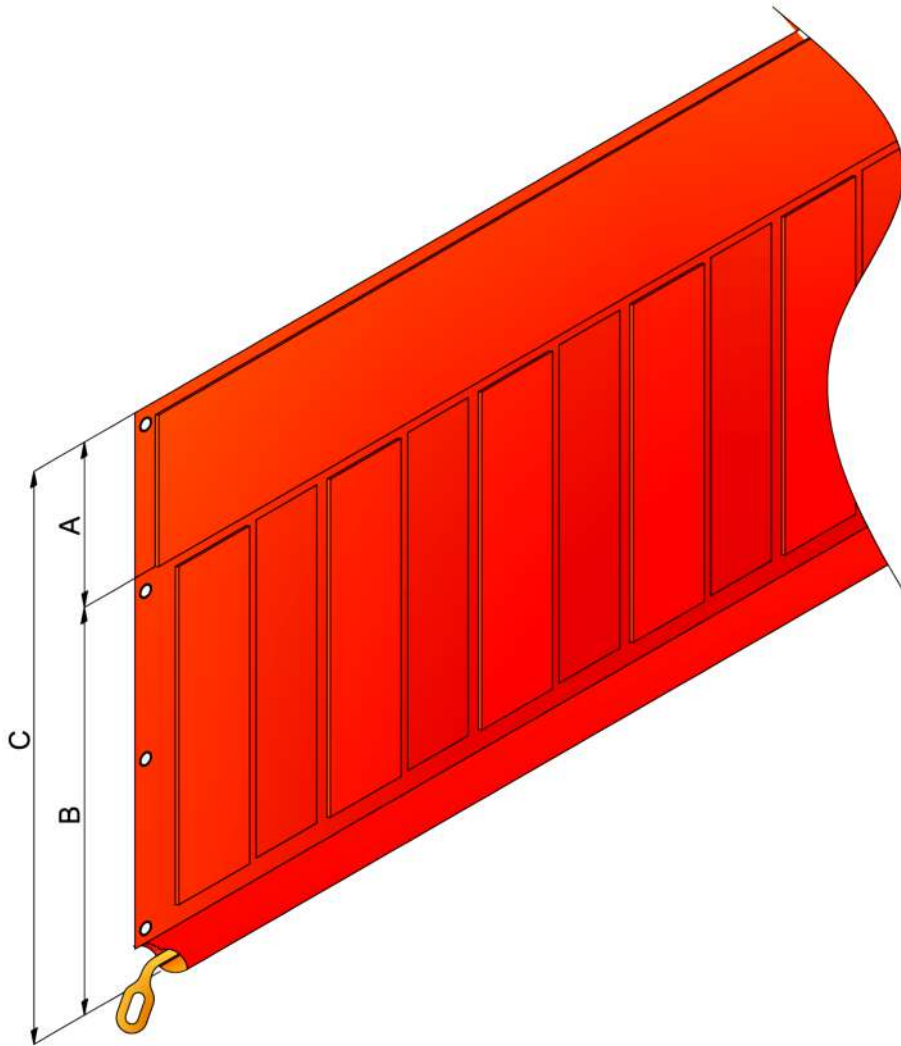
After use, IOCS Srl barriers can easily be cleaned by spraying with water or steam at 80° C or with special detergents.





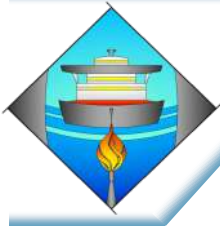
## Standard Barriers for Calm Water

This type of barriers are characterized by a vertical buoyancy system and are therefore the best for protected sea coast, beaches, rivers and lakes.



TECNICAL DATA						
A (mm)	B (mm)	C (mm)	APPROX. WEIGHT (Kg/Mt)	TRASMISION OF LONGITUDINAL STRESSES	SECTION LENGTH (m)	BUOYANCY MATERIAL
280	720	1000	TBD	NYLON ROPE	24	CLOSED CELL FOAM

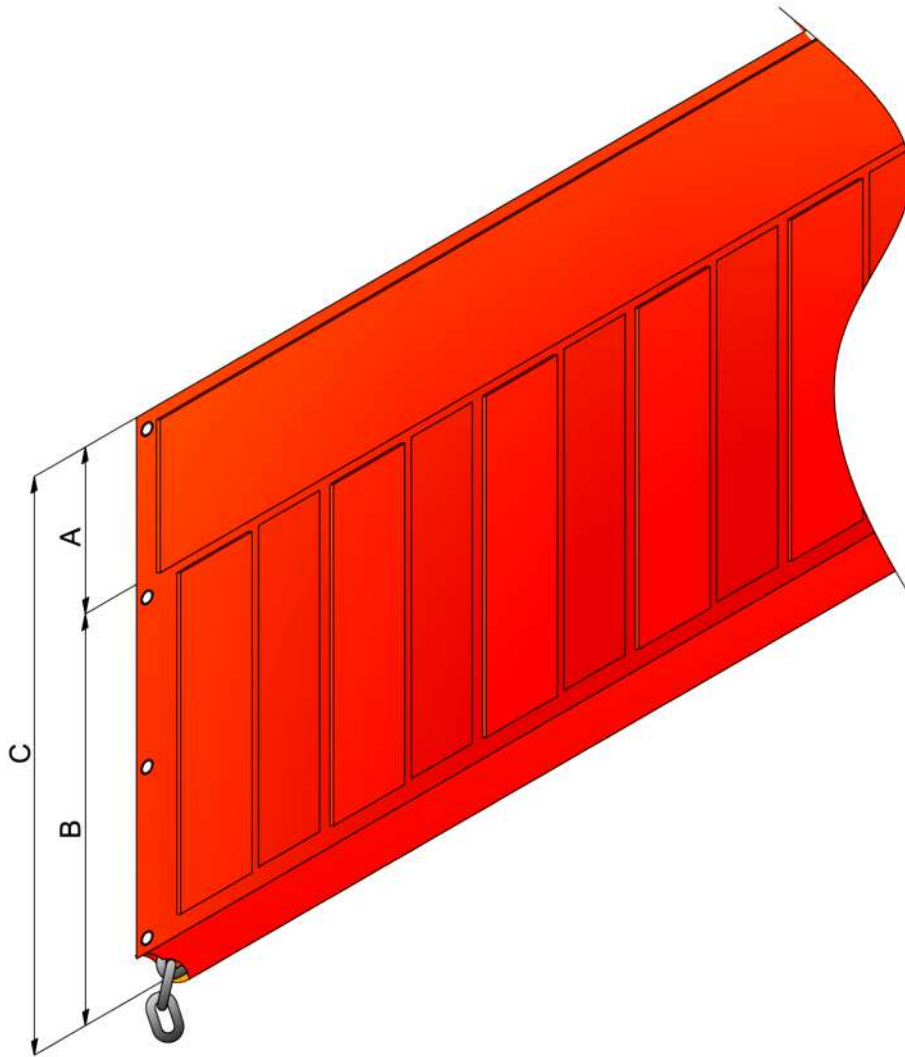
**NOTE:** Indicative characteristics - Standard colour orange (international).



## Standard Barriers for Open Sea

**Product Code: 701**

This type of barriers are characterized by a horizontal buoyancy system which can ensure containment in open sea and with extremely rough sea conditions.



TECNICAL DATA						
A (mm)	B (mm)	C (mm)	APPROX. WEIGHT (Kg/Mt)	TRASMISION OF LONGITUDINAL STRESSES	SECTION LENGTH (m)	BUOYANCY MATERIAL
280	720	1000	TBD	HOT DEEP GALVANIZED CHAIN	12	CLOSED CELL FOAM

**NOTE:** Indicative characteristics - Standard colour orange (international).